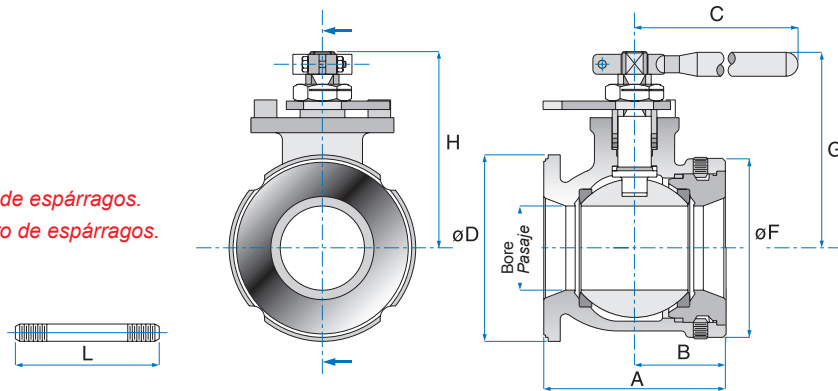




Ball valve, flangeless short pattern design. Wafer for # 150 & # 300 flanges standard bore.

Válvula Esférica Modelo Corto para colocar entre Bridas # 150 y # 300.

J= Bolt Diameter | Diámetro de espárragos.
K= Number of bolts | Número de espárragos.



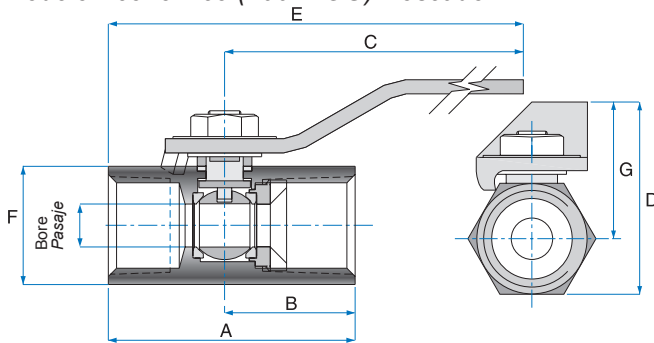
Size Tamaño	Bore Pasaje	A	B	C	øD	øF	G	H	# 150 J	# 150 K	# 150 L	# 300 J	# 300 K	# 300 L	kg
3"	2.50	4.50	2.25	18.31	5.88	5.31	5.90	5.70	0.62	4.00	8.12	0.75	8.00	8.75	8.00
DN 80	63.5	114.3	57.2	465.0	149.4	134.9	150.0	144.8	15.8		206.3	19.1	8.00	222.3	8.00
4"	3.25	5.81	2.90	18.31	7.50	6.81	6.52	6.32	0.62	8.00	9.44	0.75	8.00	10.31	15.50
DN 100	82.6	147.6	73.7	465.0	190.5	173.0	165.5	160.5	15.8		239.8	19.1	8.00	261.9	15.50
6"	4.38	7.38	3.69	21.30	9.88	8.69	9.22	8.90	0.75	8.00	11.38	0.75	12.00	12.25	30.00
DN 150	111.3	187.5	93.7	541.0	251.0	220.7	234.2	226.2	19.1		289.1	19.1	12.00	311.2	30.00

Note: screwed plug on request | Nota: opcional con tapón roscado.

Model | Modelo | 58

Ball valve, reduced bore, one piece screwed.

Modelo Económico (400 WOG) Roscado.

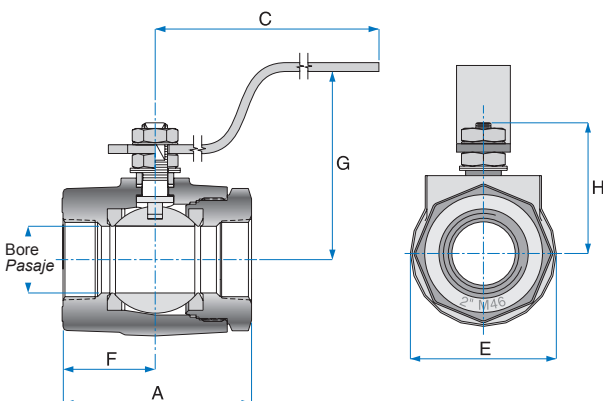


Size Tamaño	Bore Pasaje	A	F	G	D	C	E	B	kg
1/4"	0.364	1.95	1.00	1.25	1.75	3.78	4.64	1.09	0.25
DN 8	9.25	49.53	25.4	31.75	44.45	96.01	117.86	27.69	0.25
3/8"	0.364	1.95	1.00	1.25	1.75	3.78	4.64	1.09	0.25
DN 10	9.25	49.53	25.4	31.75	44.45	96.01	117.86	27.69	0.25
1/2"	0.364	2.09	1.00	1.25	1.75	3.78	4.76	1.11	0.20
DN 15	9.25	53.09	25.4	31.75	44.75	96.01	120.90	28.19	0.20
3/4"	0.500	2.28	1.19	1.36	1.95	3.78	4.90	1.16	0.30
DN 20	12.7	57.91	30.23	34.54	49.53	96.01	124.46	29.46	0.30
1"	0.625	2.74	1.50	1.46	2.21	3.78	5.24	1.38	0.50
DN 25	15.87	69.59	38.10	37.08	56.13	96.01	133.10	35.05	0.50

Model | Modelos | 43 - 46

Ball valve, series 600 /900 screwed plug.

Cuerpo Enterizo (1500 / 3000 WOG) Roscado.



Model 43 - Standard Bore | Dimensiones. Modelo 43 - Paso Reducido.

Size Tamaño	Bore Pasaje	A	H	G	C	E	F	kg
2"	1.50	4.98	3.06	3.31	7.00	3.62	2.26	4.50
DN 50	38.10	126.49	77.72	84.07	177.80	92.0	57.5	4.50
2 1/2"	2.00	5.65	4.61	5.51	10.2	4.33	2.95	9.50
DN 65	50.8	143.4	117.1	140.0	260.0	110.0	75.0	9.50

Dimensions. Model 46 - Full Bore | Dimensiones. Modelo 46 - Paso total.

Size Tamaño	Bore Pasaje	A	H	G	C	E	F	kg
1 1/2"	1.50	4.98	3.06	3.31	7.00	3.62	2.26	4.50
DN 40	38.10	126.49	77.72	84.07	177.80	92.0	57.5	4.50
2"	2.00	5.65	4.61	5.51	10.2	4.33	2.95	9.50
DN 50	50.8	143.4	117.1	140.0	260.0	110.0	75.0	9.50