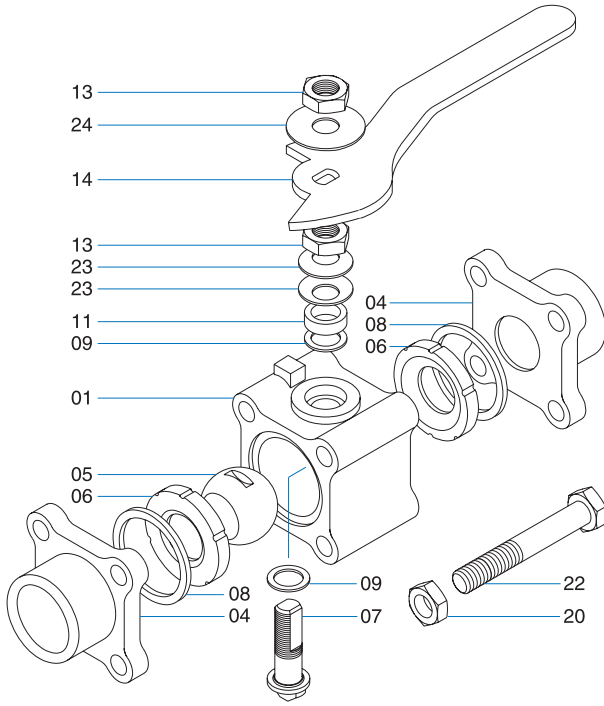




Typical valve parts assembly | *Despiece de los componentes.*

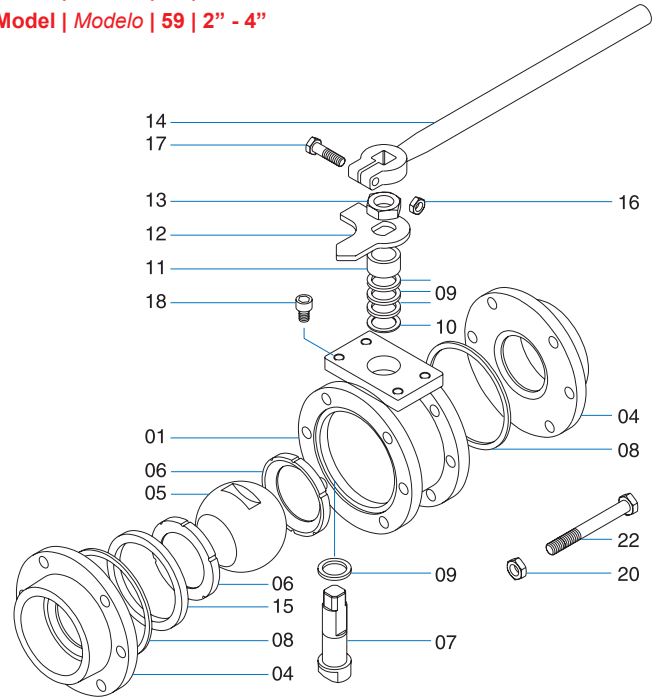
Model | Modelo | 44 | 1/4" - 2 1/2"

Model | Modelo | 59 | 1/4" - 2"



Model | Modelo | 45 | 2 1/2" - 6"

Model | Modelo | 59 | 2" - 4"



01 Valve body

04 Pipe ends

05 Ball

06 Seats

07 Stem

08 Body seals

09 Thrust bearing

10 Centering washer

11 Stem seal follower

12 Stop plate

13 Retaining nut

14 Handle

15 Seat retainer

16 Hex nut

17 Bolt

18 Stop screw

20 Body nuts

22 Body bolts

23 Bellville washers

24 Name plate

01 Cuerpo

04 Tapa

05 Esfera

06 Asiento

07 Vástago

08 Junta cuerpo

09 Arandela

10 Arandela inoxidable

11 Separador

12 Placa stop

13 Tuerca de vástago

14 Palanca

15 Anillo de suplemento

16 Tuerca

17 Tornillo

18 Tornillo tope

20 Tuerca

22 Tornillo

23 Arandela Bellville

24 Placa identificación

Accessories | *Accesorios*

Safety handle.

Locking handle.

Spring return handle.

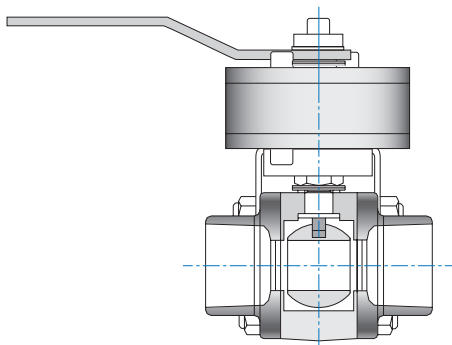
Stem extentions.

| *Traba de Seguridad.*

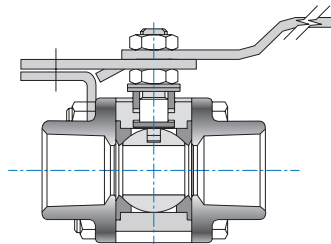
| *Traba Candado.*

| *Palanca de Retorno a Resorte.*

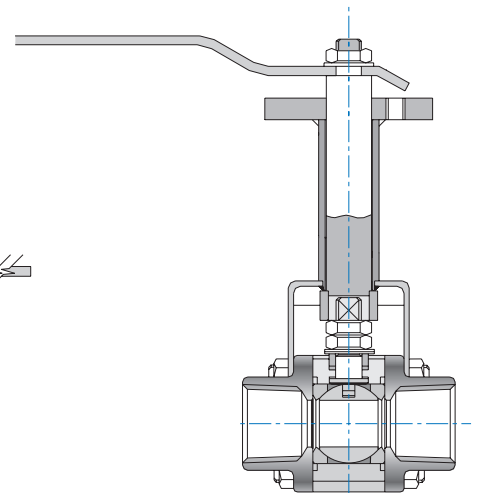
| *Vástago Prolongado AG/LQ.*



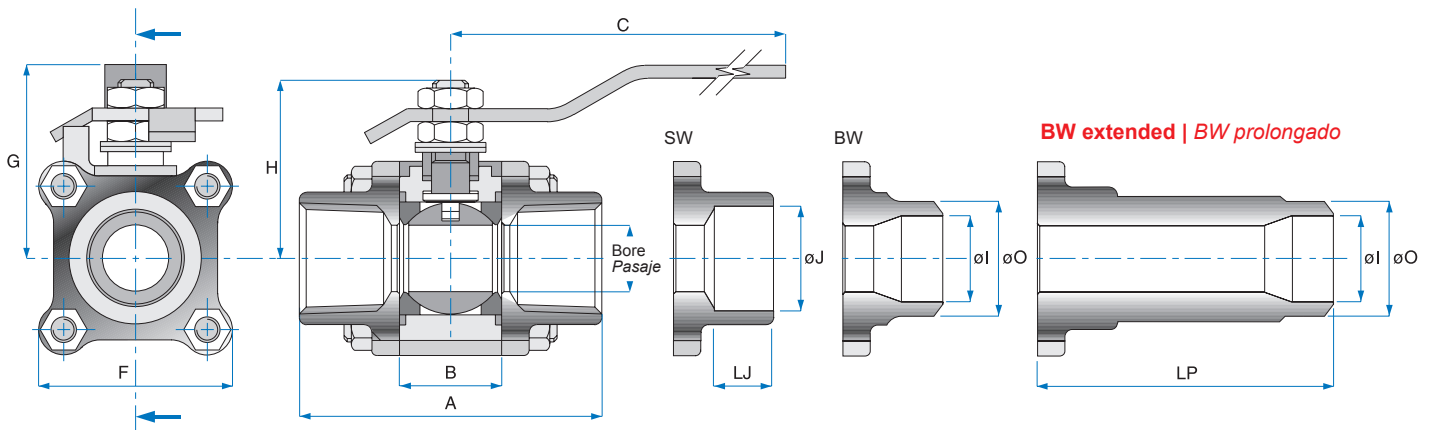
Spring return handle  
*Palanca de Retorno a Resorte*



Locking Handle  
*Traba candado*



Stem Extentions  
*Vástago prolongado LQ*



Threaded, SW or BW ends | Extremos roscados para soldar a tope o enchufe.

Model | Modelo | 44

Ball valve, three piece design, standard bore blowout - proof stem | Válvula Esférica de Pasaje Nominal, de 3 Piezas con Vástago Inexpulsable.

Size   Tamaño	Bore   Pasaje	A	B	C	F	G	H	Ø J	LJ	LP	Ø O	Sch 5 Ø I	Sch 10 Ø I	Sch 40 Ø I	kg
1/4"	0.44	2.25	0.81	4.44	1.75	1.81	1.59	0.55	0.44	3.72	0.55	-	0.41	0.27	0.52
DN 8	11.2	57.1	20.7	112.8	44.5	46.0	40.4	14.1	11.2	94.5	14.0	-	10.3	6.8	
3/8"	0.44	2.25	0.81	4.44	1.75	1.81	1.59	0.69	0.44	3.72	0.67	-	0.55	0.49	0.52
DN 10	11.2	57.1	20.7	112.8	44.5	46.0	40.4	17.5	11.2	94.5	17.0	-	13.9	12.5	
1/2"	0.44	2.57	0.81	4.44	1.75	1.81	1.59	0.86	0.44	3.72	0.84	0.71	0.67	0.62	0.52
DN 15	11.2	65.3	20.7	112.8	44.5	46.0	40.4	21.7	11.2	94.5	21.3	18.0	17.1	15.8	
3/4"	0.56	2.79	0.97	4.44	2.00	1.88	1.69	1.07	0.56	4.02	1.05	0.92	0.88	0.82	0.71
DN 20	14.2	70.7	24.6	112.8	50.8	47.8	42.8	27.1	14.2	102.2	26.7	23.4	22.2	20.09	
1"	0.81	3.72	1.25	5.75	2.38	2.44	2.20	1.33	0.72	4.19	1.31	1.18	1.09	1.05	1.34
DN 25	20.6	94.52	31.8	146.1	60.5	62.0	55.8	33.8	18.3	106.4	33.3	30.1	27.8	26.6	
1 1/4"	1.00	4.22	1.63	5.75	2.62	2.62	2.38	1.68	0.72	4.31	1.66	1.53	1.44	1.38	2.08
DN 32	25.4	107.1	41.3	146.1	66.6	66.6	60.5	42.5	18.3	109.5	42.2	38.9	36.5	35.0	
1 1/2"	1.25	4.52	1.91	7.00	3.00	3.12	2.88	1.92	0.72	4.86	1.91	1.77	1.67	1.61	3.06
DN 40	31.8	114.86	18.4	177.8	76.2	79.3	73.2	48.6	18.3	123.4	48.5	45.0	42.5	40.9	
2"	1.50	4.97	2.22	7.00	3.38	3.31	3.06	2.41	0.84	5.02	2.38	2.24	2.15	2.07	3.90
DN 50	38.1	126.9	56.3	177.8	85.9	84.1	77.7	61.1	21.3	127.0	60.5	57.0	54.5	52.5	
2 1/2"	2.0	5.73	2.85	10.2	4.55	4.79	4.55	2.91	1.01	5.13	2.88	2.71	2.64	2.47	8.00
DN 65	50.8	145.6	72.5	260.0	115.5	121.9	115.6	73.9	25.9	130.3	73.0	68.8	66.9	62.7	

Model | Modelo | 59

Ball valve, three piece design, full bore blowout - proof stem | Válvula Esférica de Pasaje Total, de 3 Piezas con Vástago Inexpulsable.

Size   Tamaño	Bore   Pasaje	A	B	C	F	G	H	Ø J	LJ	LP	Ø O	Sch 5 Ø I	Sch 10 Ø I	kg
1/4"	0.44	2.25	0.81	4.25	1.75	1.81	1.50	0.55	0.44	3.72	0.55	-	0.41	0.52
DN 8	11.2	57.2	20.7	108.0	44.5	46.0	38.1	14.1	11.2	94.5	14.0	-	10.3	
3/8"	0.44	2.25	0.81	4.25	1.75	1.81	1.50	0.69	0.44	3.72	0.67	-	0.55	0.52
DN 10	11.2	57.2	20.7	108.0	44.5	46.0	38.1	17.5	11.2	94.5	17.0	-	13.9	
1/2"	0.56	2.79	0.97	4.25	2.00	1.88	1.62	0.85	0.44	4.02	0.84	0.71	0.67	0.71
DN 15	14.2	70.7	24.6	108.0	50.8	47.8	41.2	21.7	11.2	102.2	21.3	18.0	17.1	
3/4"	0.81	3.72	1.25	5.75	2.38	2.44	2.19	1.07	0.56	4.19	1.05	0.92	0.88	1.34
DN 20	20.6	94.5	31.8	146.0	60.5	62.02	55.6	27.1	14.2	106.4	26.7	23.4	22.2	
1"	1.00	4.22	1.63	5.75	2.62	2.62	2.44	1.33	0.72	4.31	1.31	1.18	1.09	2.08
DN 25	25.4	107.1	41.3	146.0	66.6	66.6	62.0	33.8	18.3	109.5	33.3	30.1	27.8	
1 1/4"	1.25	4.52	1.91	7.00	3.00	3.12	2.81	1.67	0.72	4.86	1.66	1.53	1.44	3.06
DN 32	31.8	114.9	48.4	117.8	76.2	79.3	71.4	42.5	18.3	123.4	42.2	38.9	36.5	
1 1/2"	1.50	4.97	2.22	7.00	3.38	3.31	3.00	1.91	0.72	5.02	1.91	1.77	1.67	3.90
DN 40	38.1	126.4	56.3	177.8	85.9	84.0	76.2	49.6	18.3	127.4	48.5	45.0	42.5	
2"	2.8	5.73	2.85	10.2	4.55	4.79	4.08	2.41	0.84	5.13	2.38	2.24	2.15	8.00
DN50	50.8	145.6	72.5	260.0	115.5	121.9	103.7	61.1	21.3	130.3	60.5	57.0	54.5	