

Model | T 51 | T 52 | Three way

Modelos | T 51 | T 52 | Tres vías

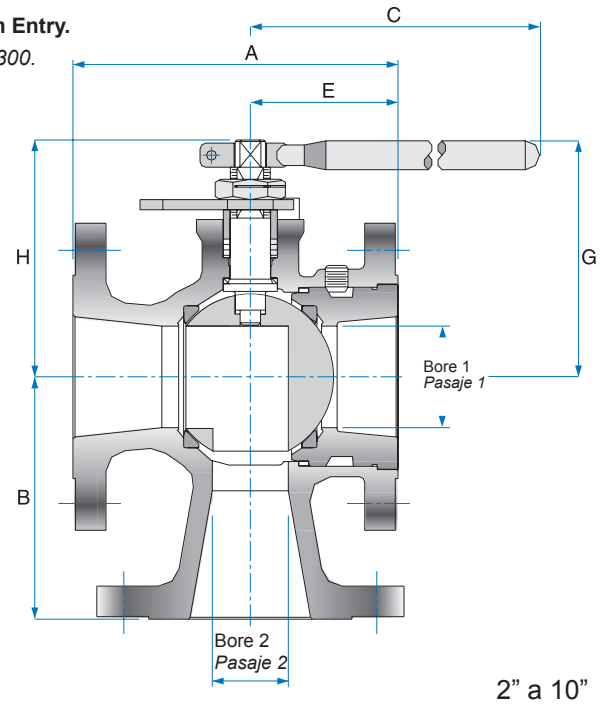
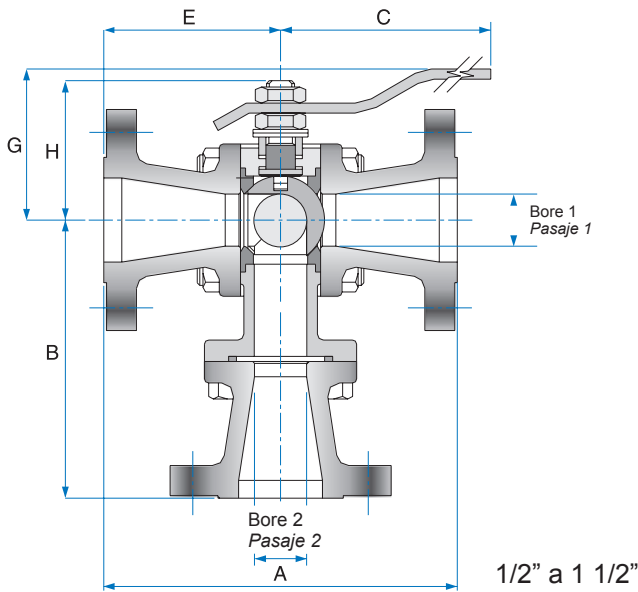


VALBOL

Válvulas Worcester de Argentina S.A.

Ball valve, three way - T 51 Flanged ASME 150 - T 52 Flanged ANSI 300. Bottom Entry.

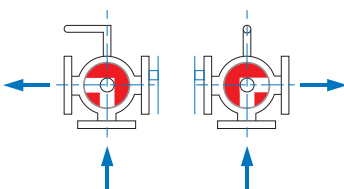
Válvula Esférica Tres Vías Bridada - T 51 Bridada ASME 150 - T 52 Bridada ASME 300.



Size Tamaño	Bore1 Pasaje1	Bore2 Pasaje2	Mod.51 A	Mod.51 B	Mod.51 E	Mod.52 A	Mod.52 B	Mod.52 E	H	G	C	Mod.51 kg	Mod.52 kg
1/2"	0.437	0.437	4.28	3.52	2.12	5.50	4.15	2.75	1.69	3.54	4.50	2.50	3.50
DN 15	11.1	11.1	107.9	59.6	53.9	139.7	105.5	69.8	42.8	90.0	114.3	2.50	3.50
3/4"	0.562	0.562	4.62	3.71	2.31	6.00	4.40	3.00	1.69	3.54	4.50	3.20	4.80
DN 20	14.3	14.3	117.4	94.4	58.7	152.4	111.9	76.2	42.8	90.0	114.3	3.20	4.80
1"	0.811	0.811	5.00	4.07	2.50	6.50	4.83	3.25	2.20	4.37	5.75	4.60	6.50
DN 25	20.6	20.6	127.0	103.6	63.5	165.2	122.7	82.6	55.8	111.0	146.0	4.60	6.50
1 1/4"	1.25	1.25	5.50	4.59	2.75	7.00	5.34	3.50	2.88	4.60	7.00	8.40	12.50
DN 32	31.8	31.8	139.8	116.6	69.9	178.0	135.7	88.9	73.2	117.0	178.0	8.40	12.50
1 1/2"	1.25	1.25	6.50	5.09	3.25	7.49	5.59	3.75	2.88	4.60	7.00	8.40	12.50
DN 40	31.8	31.8	165.2	129.4	82.6	190.3	142.0	95.2	73.2	117.0	178.0	8.40	12.50
2"	1.50	1.50	7.00	5.00	2.68	8.50	5.51	2.68	3.06	4.80	7.00	12.00	16.50
DN 50	38.1	38.1	177.8	127.0	68.1	215.9	140.0	68.1	77.7	122.0	178.0	12.00	16.50
2 1/2"	2.00	2.00	7.50	5.00	2.83	9.50	5.89	4.75	4.60	5.13	10.24	20.00	21.00
DN 65	50.8	50.8	190.5	127.0	72.0	241.3	149.7	120.6	116.8	128.2	260.0	20.00	21.00
3"	2.50	2.00	8.00	6.00	3.63	11.12	6.50	3.62	5.70	5.90	18.31	23.60	32.00
DN 80	63.5	50.8	203.2	152.4	92.2	182.6	165.1	92.1	144.8	150.0	465.0	23.60	32.00
4"	3.25	2.50	9.00	7.13	4.00	12.00	8.00	4.00	6.32	6.52	18.31	36.60	52.00
DN 100	82.5	63.5	228.6	181.1	101.6	304.8	203.2	101.6	160.5	165.2	465.0	36.60	52.00
6"	4.38	3.00	10.50	9.75	4.25	-	-	-	8.90	9.22	21.30	62.50	-
DN 150	111.25	76.2	266.7	247.6	107.9	-	-	-	226.2	234.2	541.0	62.50	-
8"	5.69	4.00	11.50	11.00	5.69	-	-	-	10.00	10.31	21.30	92.50	-
DN 200	144.5	101.6	292.1	279.4	144.6	-	-	-	254.0	262.0	541.0	92.50	-
10"	7.36	6.00	13.00	12.00	7.13	-	-	-	13.00	12.18	-	-	-
DN 250	187.0	152.4	330.2	304.8	181.0	-	-	-	330.2	309.3	-	-	-

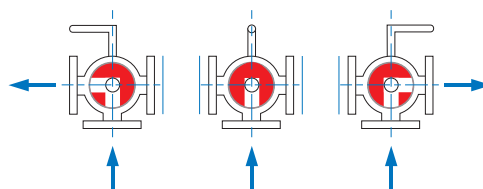
Model | Modelos | T 44 | T 51 | T 52 |

Porting #1



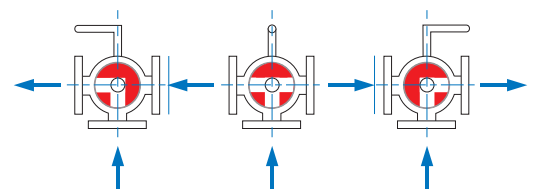
0° Position 90° Position

Porting #2



0° Position 90° Position 180° Position

Porting #3



0° Position 90° Position 180° Position